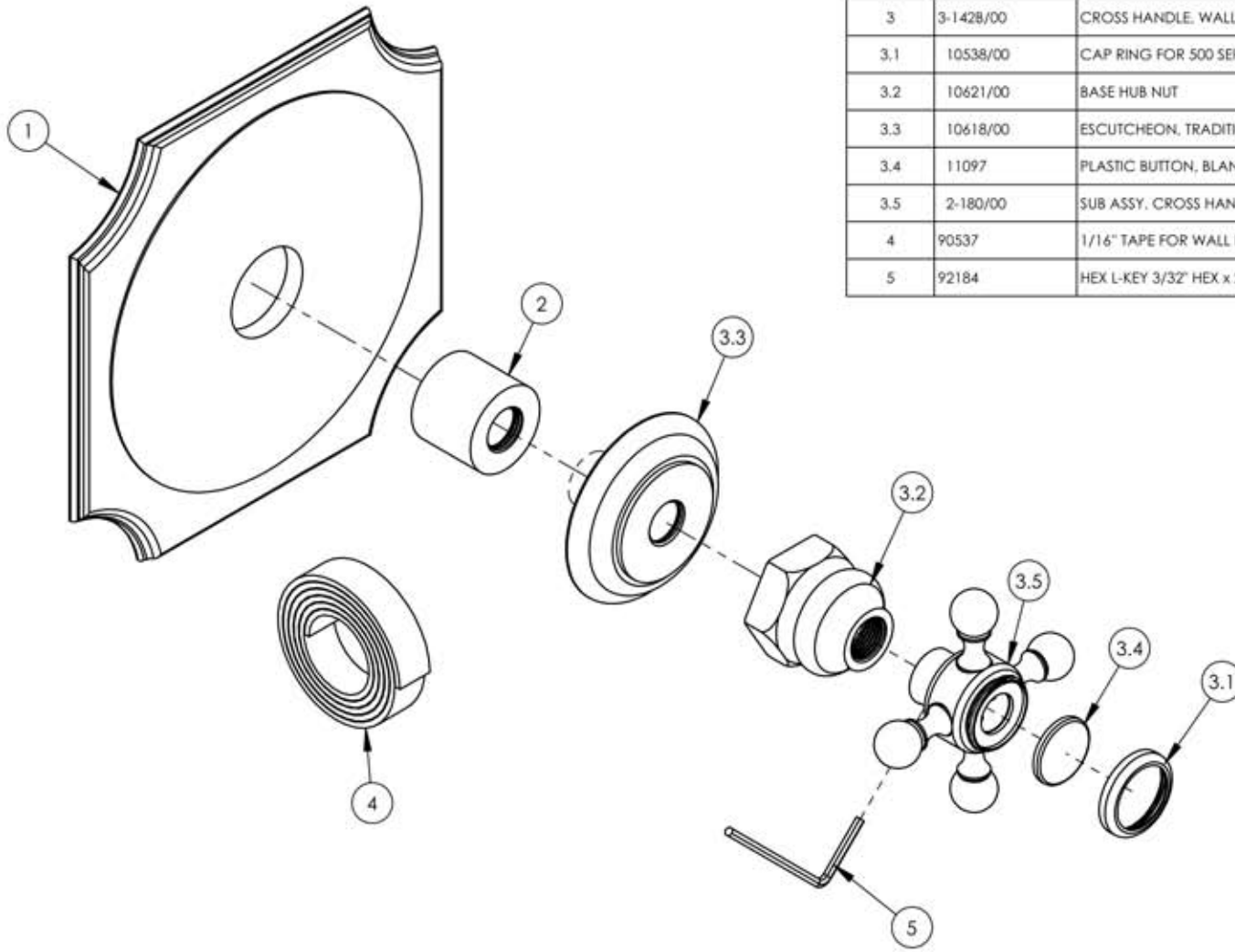


ITEM NO.	PART NUMBER	DESCRIPTION	QTY.
1	10515/00	TRIM PLATE, FRENCH TRAD. PB/THERMO	1
2	10986	CENTERING PLATE SLEEVE	1
3	3-1428/00	CROSS HANDLE, WALL/SHOWER, 500 SERIES	1
3.1	10538/00	CAP RING FOR 500 SERIES BUTTON	1
3.2	10621/00	BASE HUB NUT	1
3.3	10618/00	ESCUTCHEON, TRADITIONAL 500	1
3.4	11097	PLASTIC BUTTON, BLANK	1
3.5	2-180/00	SUB ASSY. CROSS HANDLE HUB	1
4	90537	1/16" TAPE FOR WALL PLATE	1
5	92184	HEX L-KEY 3/32" HEX x 2 1/8" L	1



ALL	A	-UPDATED WITH SUB ASSY. 2-180/00 -ADDED COMPONENT 10986	10/29/2015	GRE
ZONE	REV.	DESCRIPTION	DATE	APPROVED

REVISIONS

1261 LOGAN AVENUE
COSTA MESA, CALIFORNIA 92626
PHONE: 714.361.4800
FAX: 714.617.3120

PHYLORICH®

Defining Luxury Since 1959

PROPRIETARY AND CONFIDENTIAL

THE INFORMATION CONTAINED IN THIS DRAWING IS THE SOLE PROPERTY OF RJS MANUFACTURING. ANY REPRODUCTION IN PART OR AS A WHOLE WITHOUT THE WRITTEN PERMISSION OF RJS MANUFACTURING IS PROHIBITED.

NEXT ASSY	USED ON	FRACTIONS ±1/64"	DECIMALS X.X: ±.1 X.XX: ±.01 X.XXX: ±.005	ANGULAR ±.5°
APPLICATION		NAME	DATE	
MATERIAL	FINISH	DRAWN	LLO	10/28/2015
DO NOT SCALE DRAWING		CHECKED	GRE	

INTERPRET GEOMETRIC DIMENSIONING & TOLERANCING IN ACCORDANCE WITH ASME Y14.5-2009 & ASME Y14.41-2003 STANDARDS, UNLESS OTHERWISE SPECIFIED. DIMENSIONS ARE IN INCHES. TOLERANCES ARE:

1/2" MINI THERMOSTATIC SHOWER TRIM

SIZE	ASM/PRT NO.	REV
A	4-157/00	A

SCALE: 1:2	WEIGHT: lbs.	SHEET 1 OF 2
------------	--------------	--------------

5

4

3

2

1